

BOX GUTTER

This brochure is designed to give you the basic techniques required to fix a boxgutter to your Stratco Gable Homeshed. Please use this page in conjunction with the main set of instructions supplied, Stratco Gable Homesheds, "Framework".

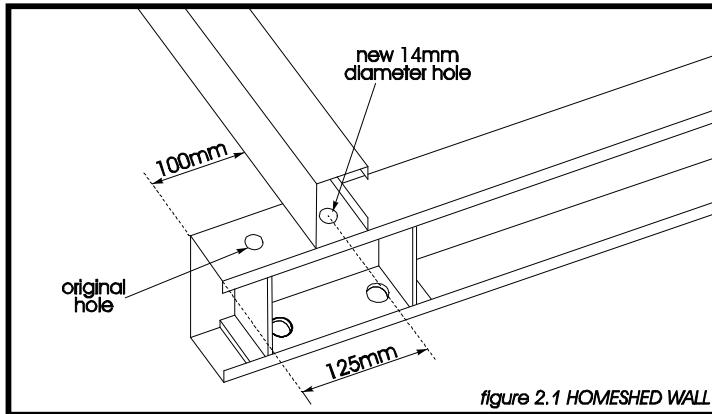


figure 2.1 HOMESHED WALL

Step 1

refer Step 4, Framework Instructions

Please refer to **STEP 4**, from the attached Stratco Gable Homeshed "Framework" instructions.

To allow for a boxgutter, the top wall girt must be lowered.

Normally, the top wall girt will be offset from the top of each column by 15mm. However, in case of a boxgutter, the top wall girt will be offset from the top of each column by 100mm.

Step 2

Drill a 14mm diameter hole in the centre of each column.

The hole must be offset from the top of the column by 125mm. Consequently, the top of the wall girt will be offset from the top of the column by 100mm. This is shown in *figure 2.1 HOMESHED WALLS*.

Step 3

Fasten the top girt to the column with a M10x16mm hex head bolt. Use two washers each side of the material being clamped.

Continue with **STEP 5 - STEP 15**, from the Stratco Gable Homeshed "Framework" instructions.

Note the Superdek wall sheets provided for the boxgutter side wall will be 47mm longer than the standard wall.

Step 4

After completing **STEP 15** from the Gable Homeshed "Framework" instructions, your roof purlins will be fixed across the roof trusses.

An additional purlin must be fixed to the boxgutter side of the Homeshed.

Drill a 14mm diameter hole in the centre top of each rafter on the boxgutter side of the Homeshed.

The hole be approximately 23mm in from the edge of the rafter as illustrated in *figure 4.1 RAFTER HOLES*.

Step 5

Position the extra roof purlin across the rafters, match the pre-drilled holes and bolt into position with M10x16mm hex head bolts.

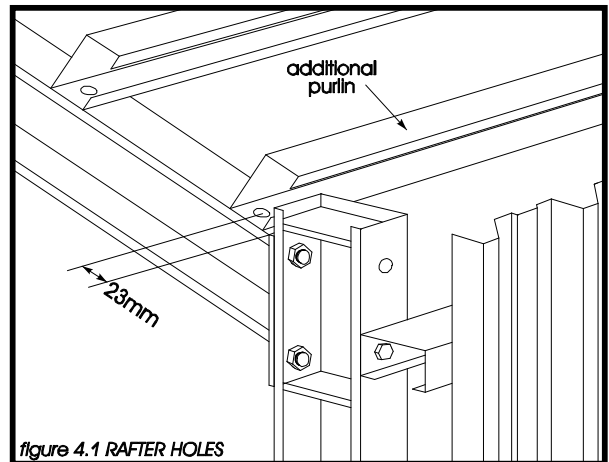


figure 4.1 RAFTER HOLES

Step 6 Boxgutter

Depending on the preferred side for the downpipe, cut a hole for a downpipe outlet in one of the boxgutter stop ends.

Pop rivet the left hand and right hand stop end into each end of the boxgutter as illustrated in *figure 6.1 BOXGUTTER FLASHING*. Seal with silicone.

If your Homeshed is 12.3m long, measure the length of the top wall girt and lap the gutter accordingly.

Fix the gutter together with pop rivets and seal with silicone.

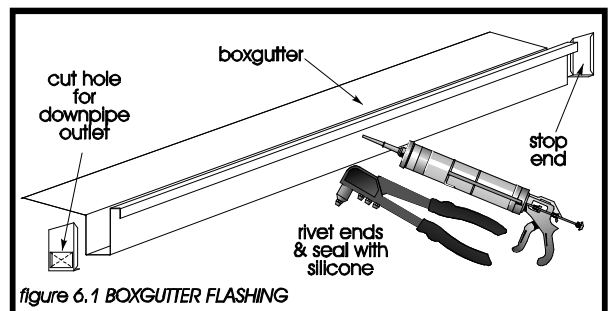


figure 6.1 BOXGUTTER FLASHING

Step 7

Slide the boxgutter into the wall cavity. The front of the gutter will cap the side wall sheets as illustrated in *figure 7.1 BOXGUTTER ASSEMBLY*.

Fix the gutter to the wall sheets with 10x16 mm self tapping screws.

Pop rivet the top of the gutter to the new roof purlin at 600mm centres.

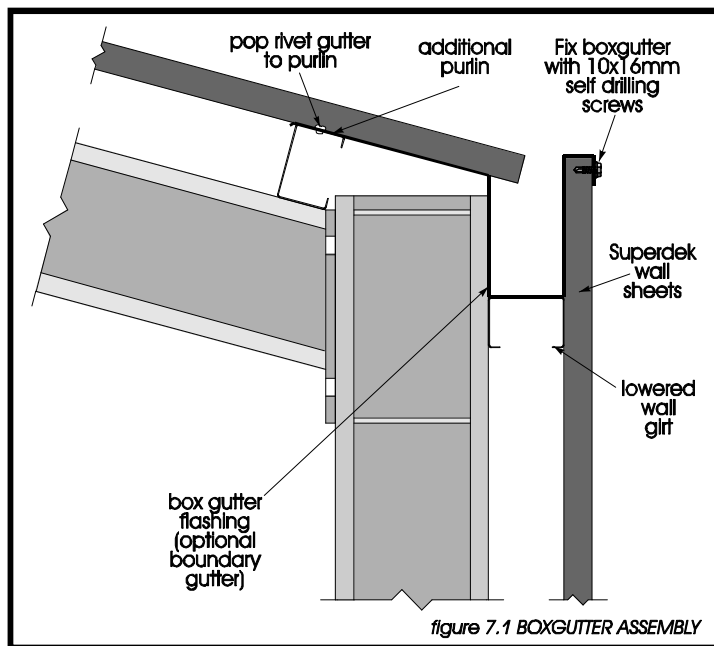


figure 7.1 BOXGUTTER ASSEMBLY

Step 8

Pan fix the gable wall sheets to the back wall frame with 10x16 self drilling screws. Start cladding the wall sheets from the middle of the gable, and work outwards.

On one side, the shortest wall sheet will cover the downpipe outlet opening.

Use this stop end as a template, and mark the corresponding position for an opening in the wall sheet. This is illustrated in figure 8.1 DOWNPIPE OUTLET.

Cut a hole in the wall sheet for the downpipe outlet and rivet the outlet into position. Seal with silicone. Similarly, the corner flashing will need to be notched to allow for the outlet.

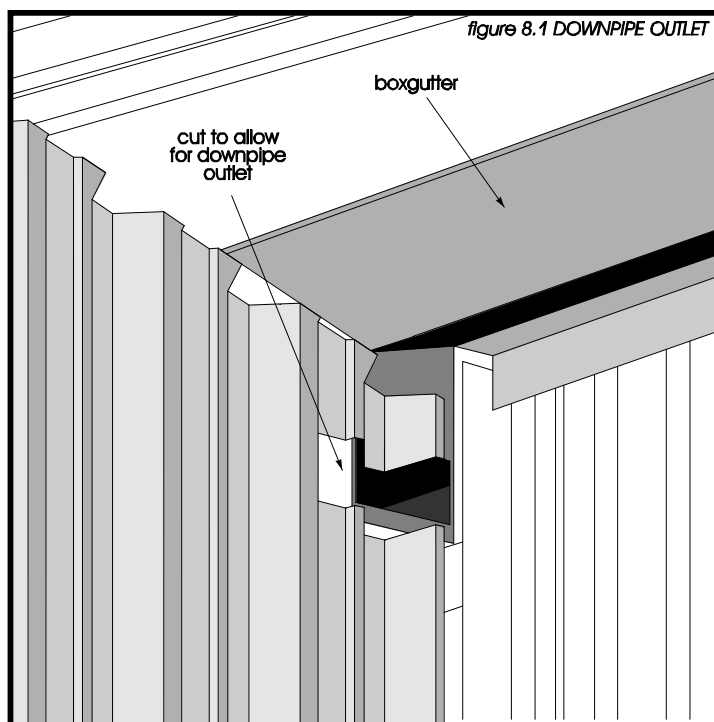


figure 8.1 DOWNPIPE OUTLET

Step 8 downpipe elbow

Fix a 90° downpipe elbow to the outlet with pop rivets. Seal with silicone.

Step 9 downpipe

Slide the small end of one downpipe into the big end of the other. Rivet the downpipe at the back, then use a hacksaw to cut to the desired length.

Fix the downpipe to the elbow using rivets, then use downpipe straps, fix against the wall using 10x16mm self tapping screws.

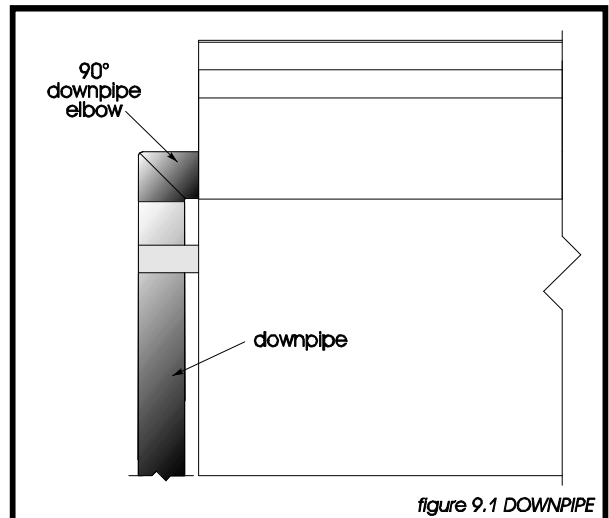


figure 9.1 DOWNPIPE

Step 10 roof sheets

The roof sheets supplied for the box gutter are 127mm shorter than the roof sheets provided for the other side of the Homeshed.

Turn the valley of every roof sheet upwards as illustrated in figure 10.1 ROOF SHEETS. This will aid in water proofing the Homeshed.

Fix the roof sheets, starting from one end. The sheets should be laid into the prevailing wind.

Crest fix the sheets with 12x35mm self drilling screws with neoprene washers. Use 5 screws per sheet at each end support.

Ensure the first sheet is square with the frame and that the roof sheets overhang into the gutter by approximately 35mm as illustrated in figure 7.1 BOXGUTTER ASSEMBLY.

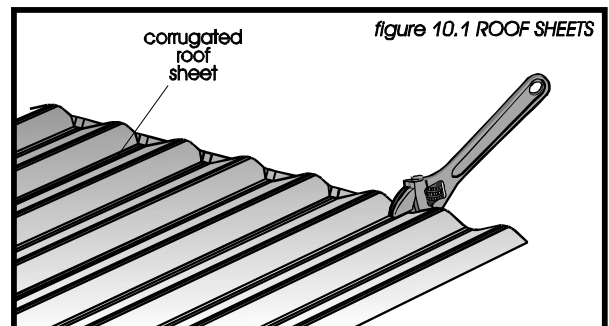


figure 10.1 ROOF SHEETS